



725 SW 46<sup>th</sup> Avenue  
 Ocala, Florida 34474  
**T** (352) 629-6305  
**M** (941)345-5958  
**F** (352) 629-2018

## **FIRE APPARATUS PROPOSAL**

July 27, 2018

This proposal has been prepared for:  
 The Villages Community  
 Development Districts

REV RTC is pleased to offer The Villages Community Development Districts One 2019 E-One Typhoon Pumper. This vehicle is quoted off of the Florida Sheriffs Association open bid FSA18-VEF13.0 Spec # 19 Level I custom pumper Typhoon Chassis. This vehicle shall be in accordance with the attached specifications.  
 The purchase price shall also include all vehicle components and NFPA equipment as requested by the fire department and listed in the attached documentation.

Delivery will be F.O.B. The Villages, FL and will be 345 days after receipt of Purchase order at REV RTC in Ocala, FL. The current purchase price for the specified unit is as follows:

<b>2019 E-One Typhoon Pumper Spec # 19 Level I custom pumper base model pricing.</b>	<b>\$ 347,823.00</b>
<b>List of options requested by fire department not on base model unit. (See quote compare report)</b>	<b>\$ + 165,897.00</b>
<b>Net cost of vehicle.</b>	<b>\$ 513,720.00</b>
<b>Additional E-One discount.</b>	<b>\$ - 23,311.00</b>
<b>Customer Loyalty Discount.</b>	<b>\$ - 19,000.00</b>
<b>Net Cost Of Pumper.</b>	<b>\$ 471,409.00</b>
<b>FSA Fee.</b>	<b>\$ + 3,562.00</b>
<b>Ladder Alco- Lite- 24ft extension, 14 ft roof and 10 ft attic.</b>	<b>Included in price</b>
<b>Premium 2000+ Extended Warranty with towing. Coverage period is 24 months after conclusion of OEM warranty.</b>	<b>Included in price</b>
<b>Training 3 days at 2 hours per day.</b>	<b>Included in price</b>
<b>Wilbert Chief 1.8 Profiler 12 volt with two Whelen PFP2 LED light heads installed on cab roof forward of vista. Controller in L1 forward wall. (Color Black)</b>	<b>Included in price</b>

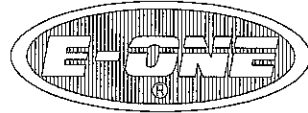
<b>Driver side wireless and (3) position wired David Clark system.Supplied. Customer to install.</b>	<b>Included in price</b>
<b>Total Cost of truck.</b>	<b>\$ 474,971.00</b>

This price shall expire with Florida Sherriff's Contract May 31, 2020.

Sincerely,

*Steve Kern*

Steve Kern  
Sales Representative



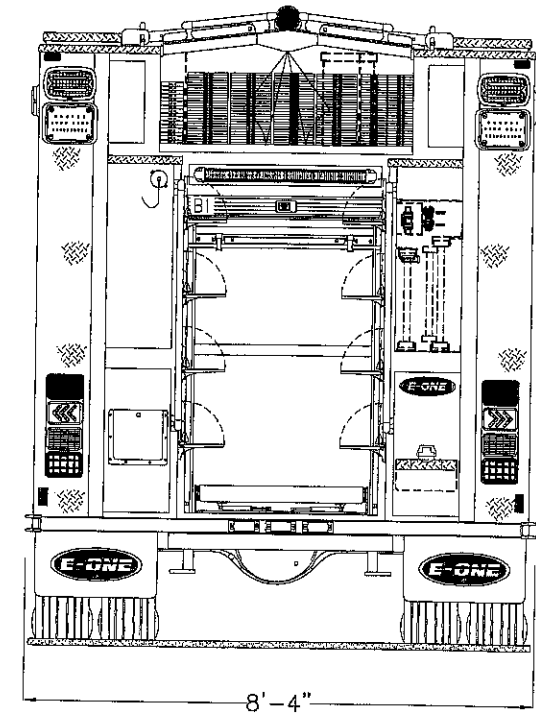
VILLAGES PUBLIC SAFETY DEPARTMENT  
 THE VILLAGES, FL  
 QUOTE 88541  
 CUSTOM 48 RESCUE PUMPER  
 E-ONE TYPHOON X MEDIUM CAB 4X2 CHASSIS

COMPT.	OPENING		INTERIOR DIMENSION			
			48W	56H	12D	LOCATION
L1	46W	59H	48W	3H	12D	UPPER
			49W	56H	26D	LOWER
L2	54W	25H	56W	3H	12D	UPPER
			56W	22H	26D	LOWER
L3	60W	59H	48W	3H	12D	FRONT UPPER
			48W	56H	26D	FRONT LOWER
			14W	3H	10D	REAR UPPER
			14W	56H	24D	REAR LOWER
R1	46W	59H	48W	25H	12D	UPPER
R2	54W	25H	48W	30H	26D	LOWER
R3	60W	59H	48W	25H	12D	FRONT UPPER
			48W	30H	26D	FRONT LOWER
			14W	25H	10D	REAR UPPER
			14W	30H	24D	REAR LOWER
B1	36W	52H	38W	51H	26D	

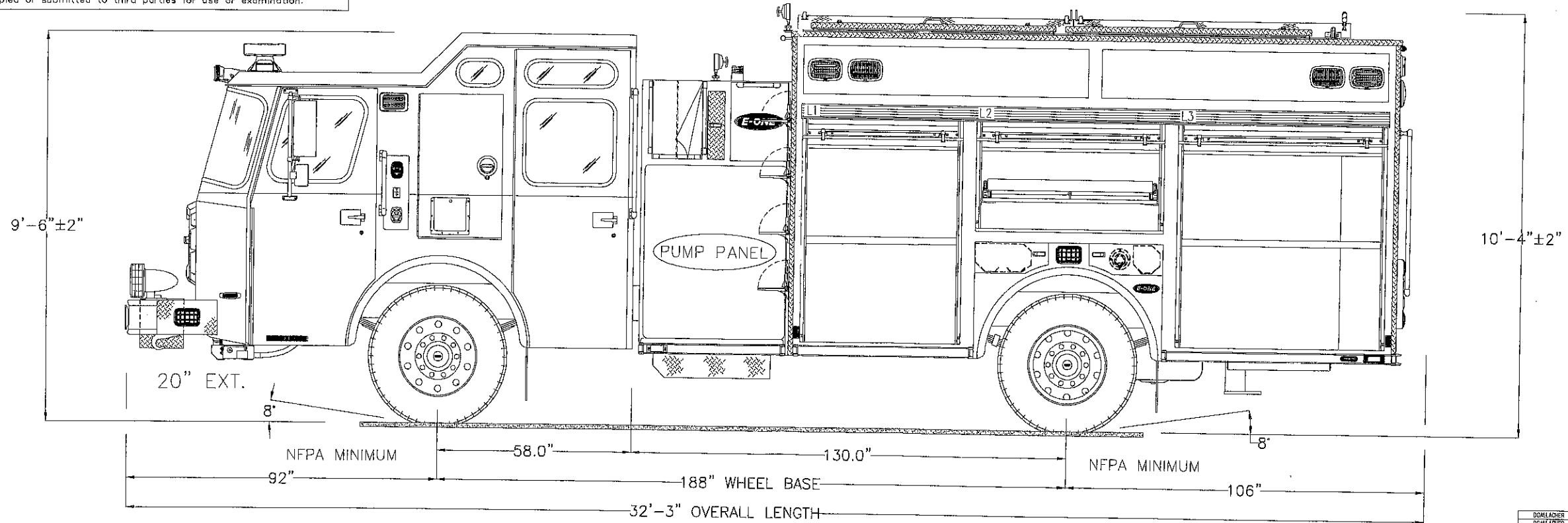
HOSE LOAD:  
 200' OF 2.50" DJ  
 1000' OF 5.00 LDH  
 400' OF 3.00" DJ

THIS DRAWING IS FOR REFERENCE PURPOSES. ALL DIMENSIONS ARE SUBJECT TO MINOR VARIATIONS DUE TO MANUFACTURING PROCESSES.

This print is the property of E-ONE, Inc. and is loaned to you subject to return on demand, unless otherwise agreed to in writing by E-ONE, Inc. Its contents are confidential and must not be copied or submitted to third parties for use or examination.



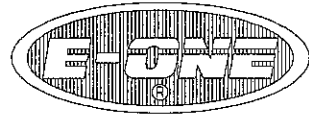
HOSEBED HEIGHT:  
 (FOR REFERENCE ONLY)  
 TO TAILBOARD: 73"  
 TO GROUND: 97"



DATE	DESCRIPTION	APPROVED
2018-MAY-29	REV	DCALLAGHER
2018-MAY-09	REV	DCALLAGHER
2018-APR-28	REV	DCALLAGHER
2017-DEC-15	INITIAL RELEASE	DCALLAGHER
	REV	DCALLAGHER

APPROVAL REVISIONS

SHEET 1 OF 2



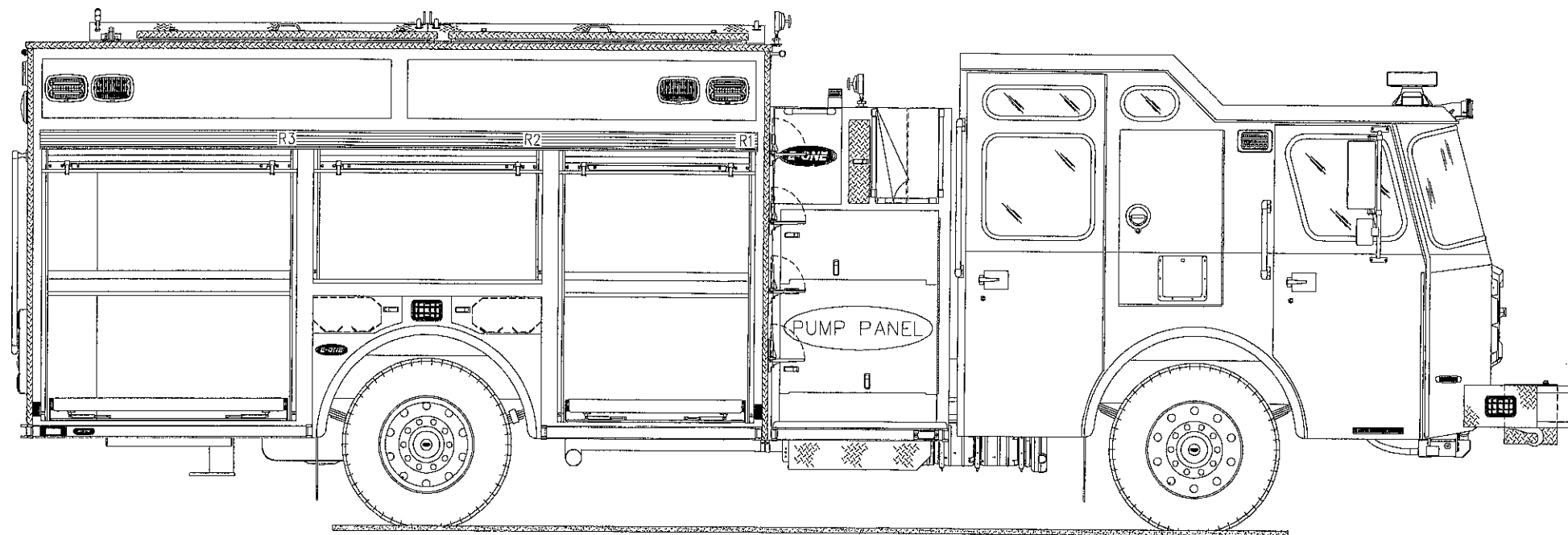
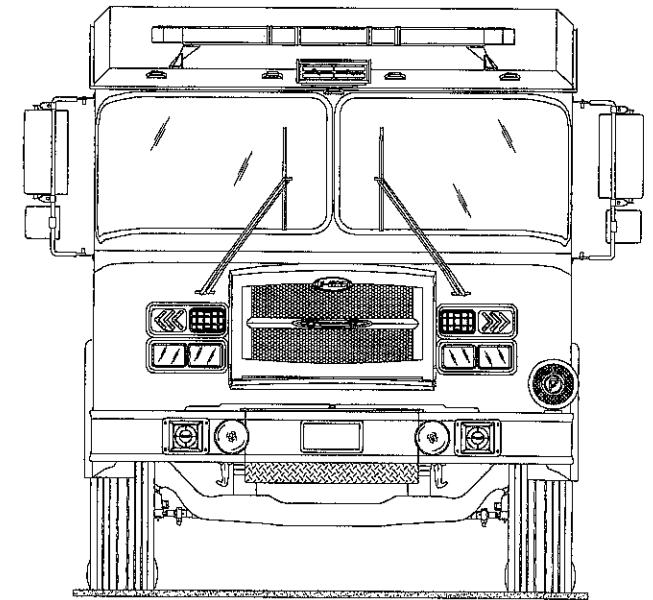
VILLAGES PUBLIC SAFETY DEPARTMENT  
THE VILLAGES, FL

QUOTE 88541

CUSTOM 48 RESCUE PUMPER  
E-ONE TYPHOON X MEDIUM CAB 4X2 CHASSIS

THIS DRAWING IS FOR REFERENCE PURPOSES. ALL DIMENSIONS ARE  
SUBJECT TO MINOR VARIATIONS DUE TO MANUFACTURING PROCESSES.

This print is the property of E-ONE, Inc. and is loaned to you  
subject to return on demand, unless otherwise agreed to in writing by  
E-ONE, Inc. Its contents are confidential and must not be  
copied or submitted to third parties for use or examination.



DRAWN BY	REV	DESCRIPTION	DATE	APPROVED
DALLAGHER	D	REF	2018-MAY-23	DALLAGHER
DALLAGHER	C	REF	2018-MAY-09	DALLAGHER
DALLAGHER	B	REF	2018-APR-25	DALLAGHER
DALLAGHER	A	INITIAL RELEASE	2017-DEC-10	DALLAGHER

APPROVAL REVISIONS SHEET 2 OF 2



# Fire Apparatus Quotation for: VILLAGES PUBLIC SAFETY DEPARTMENT



Quotation Number: 88541 Rev: 76

Unit Description: PMPR-TYPH

Quote Description: Pumper, Typhoon

Salesperson: SKERN

Salescode	Extended Description	Qty	
<b>FRAME ASSEMBLY</b>			
1250-0011	Rear underbody support frame.	1	
1250-0080	Frame assembly with 10.25 x 3.5 x .375 powder coated galvanized rails.	1	
1250-0083	Frame liner 9.375 x 3.125 x .375, galvanized and powder coated.	1	
1250-0092	GEOMET coated frame assembly fasteners.	1	
<b>AXLE OPTIONS</b>			
1025-0005	Meritor FL-941 front axle 18,700 lb.	1	
1025-0018	Meritor RS-30-185 single rear axle 31,000 lb. capacity.	1	
1025-0028	Koni shock absorbers for front axle - adjustable.	1	
<b>SUSPENSIONS</b>			
1070-0012	Reyco rear suspension springs rated equal to the capacity of the axle.	1	
<b>TIRE OPTIONS</b>			
1060-0006	Four Michelin 315 tires model XZA-1 for rear axle	1	
1060-0117	RWC AirGuard LED tire pressure monitoring valve stem caps (6) for single rear axle applications.	1	
1060-0155	Two Michelin 385 tires model X MULTIWAY HD XZE for front axle.	1	
<b>BRAKE SYSTEMS</b>			
1100-0001	Meritor EX225H 17" disc brakes for front axle.	1	
1100-0002	ArvinMeritor 16-1/2" x 7" S-cam brakes with cast brake drums for a single rear axle.	1	
1100-0005	Brake system air 4X2/4X4.	1	
1100-0006	Parking brake release mounted on the driver's side lower dash.	1	

Salescode	Extended Description	Qty	
<b>TESTING COMPLIANCE STANDARD</b>			
1001-0065	The E-ONE supplied components of the vehicle shall meet the requirements of NFPA 1901, 2016 edition.	1	
3090-0002	OAH. Unit has no overall height restrictions.	1	
3090-0004	OAL. Unit has no overall length restrictions.	1	
3090-0006	The hose bed is to have the capacity for the following hose. Hose load shall be listed from driver to officer.	1	Lay 1 - 200 ft. of 2.50 DJ Lay 2 - 1000 ft. of 5.00 LDH Lay 3 - 400 ft. of 3.00 DJ Estimated Weight - 1490 lbs.
3340-1137-12C	Equipment allowance on the apparatus shall be 2500 lbs. This allowance is in addition to the weight of the hoses and ground ladders listed in the shop order as applicable.	1	
<b>BUMPER TRAYS</b>			
1150-0055	Hinged diamond plate lid for center bumper tray. Includes: seal, 1/4 turn latch and gas shock hold open device.	1	
1150-0121	Bumper tray center of bumper with slats 14 inches deep (approx 13 inches to slats).	1	
<b>BUMPERS</b>			
1160-0000	Bumper 10" stainless steel.	1	
1160-0008	3/16" Front Bumper Gravel Shield.	1	
1160-0014	20" Front Bumper Gravel Shield Extension.	1	
1160-0021	Number plate, removable size to fit between air horns on front bumper. Spaced out from face of bumper so plate can be removed.	1	
<b>WHEEL OPTIONS</b>			
1050-0007	Front axle wheel trim kit. Includes stainless steel lug nut covers (chrome plated plastic if applicable) and center cap with E-ONE logo. Note: Center cap will have an inspection port IPO a logo if equipped with Stemco oil seals.	1	
1050-0008	Rear axle (single) wheel trim kit. Includes stainless steel lug nut covers (chrome plated plastic if applicable) and center cap with E-ONE logo. E-ONE custom chassis w/steel wheels will have chrome plated plastic lug covers.	1	
1050-0017	Each inside wheel of the single rear axle shall have valve stem extensions.	1	
1050-0044	Accuride aluminum wheels for front axle (2).	1	
1050-0045	Accuride aluminum wheels for rear axle (4).	1	
<b>AIR SYSTEM OPTIONS</b>			
1110-0000-001	Inlet for air system. Location: driver door jamb.	1	

Salescode	Extended Description	Qty	
<b>AIR SYSTEM OPTIONS</b>			
1110-0002	Air dryer Bendix AD-9.	1	
1110-0006	Air lines nylon.	1	
1110-0041	Air horns Grover recessed in bumper (PR).	1	
1110-0044-179-02	Air inlet Auto-Eject. Includes Red weatherproof gasketed cover. Location: outside driver's door next to handrail.	1	
<b>ENGINES &amp; TRANSMISSIONS</b>			
1200-0017	Push-button transmission shift selector.	1	
1200-0020	TranSynd, Shell Spirax S6ATF A295, or equivalent synthetic transmission fluid for EVS3000.	1	
1200-0097	Electronic limiting of speed to 68 MPH maximum. Note: Max speed may be set at 65 MPH due to tire rating.	1	
1200-0341	Eng/Trans Cummins L9 450HP/EVS3000 2017 EPA compliant engine.	1	
<b>SECONDARY BRAKING</b>			
1125-0002	Jacobs engine compression brake.	1	
1125-0023	Transmission to seek second gear when Jacobs engine brake or Telma retarder is engaged. N/A with Trans retarder.	1	
<b>COOLING PACKAGE</b>			
1800-0013	Cooling system for use with Cyclone II X, Typhoon X, and Quest chassis. For use with 2010 - 2018 EPA engines. Includes coolant recovery system.	1	
<b>FUEL SYSTEMS</b>			
1350-0003	Fuel system 50 gallon.	1	
1350-0022	Fuel line hose rubber.	1	
<b>ALTERNATOR</b>			
1700-0005	Alternator Leece Neville 320 amp. 320 amp SAE/272 amp NFPA.	1	
<b>BATTERIES</b>			
1400-0002	Battery four group 31 1000 CCA.	1	
<b>CHASSIS OPTIONS</b>			
1680-0005	Thermatic fan clutch.	1	
1680-0006	Drivelines 1710.	1	
1680-0011	Tow eyes rear below body, painted.	1	
1680-0042	Tow hooks front painted in the down position.	1	

Salescode	Extended Description	Qty	
<b>CHASSIS OPTIONS</b>			
1680-0250-M58	Diesel Exhaust Fluid (DEF) 5 gallon tank. Location: left side below rear of cab.	1	
1680-0284	Radiator mounted power steering cooler.	1	
<b>CAB MODEL</b>			
1520-0013	Typhoon X medium cab with 58" CA	1	
<b>CAB ROOF TYPE</b>			
1615-0001	Vista full height rear doors, 12".	1	
1615-0005	Delete front vista roof windows.	1	
<b>CAB BADGE PACKAGE</b>			
1610-0000	Cab and body to have applicable E-ONE logos.	1	
<b>GRILLE</b>			
1620-0004	ABS chrome plated grille.	1	
<b>CAB DOOR OPTIONS</b>			
1550-0003	Rear crew cab doors in the medium position.	1	
1550-0013	Driver and Officer door windows. Includes electric roll-down actuation. Each door to have individual control at door position and the driver door is to have master control for all power window locations.	1	
1550-0014	Rear crew cab door windows. Includes electric roll-down actuation. Each door to have individual control. Not available with paddle style door latching.	1	
1550-0018	Scuff plates stainless steel (Set). Not available with paddle latches.	1	
1550-0025	All cab doors shall have "L" style exterior latches.	1	
1550-0038-659	(4) LED cab step area lighting. Locate each light on each cab door in the inboard position. Lights to be switched with door ajar.	1	
1550-0040-657	Door mounted red LED flashing lights (4). Locate lights on each cab door in the outboard position. Lights to be switched with door ajar.	1	
1550-0072	Cab door panels aluminum painted Zolatone gray.	1	
1550-0077	Interior cab door locks - manual. Will have manual actuation from each respective door. Includes barrel style key lock on each exterior cab door.	1	
1550-0084	All cab exterior access doors to have 1250 keyed locks.	1	
1550-0135	Stainless steel trim on the vertical edge of the over wheel cab compartment opening (ea).	2	
1550-0179-000-J7	Red/Fluorescent Yellow Green Reflexite V98 chevron "A" stripe on lower cab door panel approx 18" high. Stainless steel/painted door panels only. TyphoonX, CIIX	1	



Salescode	Extended Description	Qty	
<b>CAB DOOR OPTIONS</b>			
	and QST2 only.		
1550-0251	Driver and officer cab door windows - full glass style. For use with Typhoon and Cyclone cabs. Requires "L" handles and aluminum or S/S door panels.	1	
1550-0266	Stainless steel trim on bottom edge of the exterior cab compartment openings. Includes wheel well and rear compartments (as applicable).	1	
<b>MIRRORS</b>			
1670-0003	Velvac 2010 mirrors. Door mounted west coast style with remote control and heat.	1	
<b>MISC EXTERIOR CAB OPTIONS</b>			
1550-0035	No window on the driver side of the cab	1	
1550-0036	No window on the officer side of the cab.	1	
1675-0022	Pair of 18" handrails located just behind driver and officer front door one each side.	1	
1675-0024	Pair of 36" handrails located just behind driver and officer rear door (ALS doors if equipped) one each side.	1	
1675-0030	Mud flaps, front, black with E-ONE logo.	1	
1675-0038-000-74	Sign plate smooth 30" x 30" mounted on cab roof (vista if equipped). Color: unpainted.	1	
1675-0047	Rear cab wall to be 3/16" aluminum diamond plate.	1	
1675-0212	Mounting plate for battery charger receptacle, indicator, air inlet, etc (if applicable). Plate to be removable polished stainless steel.	1	
<b>HVAC</b>			
1515-0017	Air conditioning for the Typhoon X, CII X and Quest with Cummins ISC/ISL engine and radiator mounted condenser.	1	
1515-0045	Controls for heating and air conditioning shall be located in the center dash area upper tier offset to driver side. For use with severe duty dash only.	1	Manual added by JLEHEW on 13-DEC-17
<b>SEATS</b>			
1510-0003	Seats, Inc. brand 911 cab seats.	1	
1510-0008	Seat color gray.	1	
1510-0035-147	Universal air pack bottle bracket (EA). Location: officer's seat.	1	
1510-0035-151	Universal air pack bottle bracket (EA). Location: inboard driver's side rear wall.	1	
1510-0035-152	Universal air pack bottle bracket (EA). Location: inboard officer's side rear wall.	1	
1510-0038	Driver seat 911 air ride.	1	

Salescode	Extended Description	Qty	
<b>SEATS</b>			
1510-0042	Officer seat to be 911 fixed SCBA.	1	
1510-0062	Two man bench centered on rear wall with 911 SCBA backs. Includes angled corners.	1	
1510-0207	Riser to be 13" in height. Vista cabs only.	1	Manual added by TBARBARY on 11-DEC-17
1510-0234	Seat cover material Turnout Tuff.	1	
1685-0031	Seating capacity tag of four occupants.	1	
<b>MEDICAL CABINETS</b>			
1535-0202	Cab medical/storage cabinet(s) finish to be Zolatone gray. Includes interior/exterior of cabinet and shelves/trays if equipped.	1	
1535-0654	Officer side cab wheel well medical cabinet approximately 42 x 22 (25 Quest) x 28. Includes external locking pan door painted job color with an interior full height opening with cargo net restraint including 1/4 turns on all four corners. Cabinet includes (2) adjustable shelves.	1	Manual added by WYOUNG on 26-APR-18
1535-0655	Driver side cab wheel well medical cabinet approximately 42 x 22 (25 Quest) x 28. Includes external locking pan door painted job color with an interior full height opening with cargo net restraint including 1/4 turns on all four corners. Cabinet includes (2) adjustable shelves.	1	Manual added by WYOUNG on 26-APR-18
<b>MISC INTERIOR CAB OPTIONS</b>			
1680-0053	Storage below rear bench seat. (1) hinged door on each side of the bench seat.	1	
1685-0000	Cab interior gray. Does not include engine cover or seat color.	1	
1685-0006	Padded sun visors, driver and officer's side overhead.	1	
1685-0187	Severe duty engine cover, molded polyurethane.	1	
1685-0201	Severe duty dash package. Includes smooth plate alum center and officer side dash painted to match cab interior and lower dia. plt. kick panels. Officer cab dash notched for MDT slide-out bracket(s).	1	
1685-0275-V33	Cup holder (PR). Polyurethane construction for use in Typhoon and CII with severe duty engine cover only. Location: Driver and officer side of engine cover slightly ahead of access door spaced approximately 20" apart (center to center).	1	
1685-0422	Severe duty overhead console. Includes front full width overhead, air conditioning plenum and rear facing blower. Overhead to match cab interior.	1	
1685-0532	Stepped profile rear engine cover.	1	
<b>CAB ELECTRICAL OPTIONS</b>			
1750-0024-179-04	Auto-Eject receptacle inlet 20 amp located outside driver's door next to handrail with a Yellow cover.	1	

Salescode	Extended Description	Qty	
<b>CAB ELECTRICAL OPTIONS</b>			
1750-0046-195	Cab Headlights. Position: lower.	1	
1750-0072-592	12 VDC (or 24VDC) electrical outlet wired battery hot. Location: driver side dash.	1	
1750-0072-593	12 VDC (or 24VDC) electrical outlet wired battery hot. Location: officer side dash.	1	
1750-0075	English dominant main cab gauge cluster.	1	
1750-0161	Air compressor, Kussmaul model 091-9B-1, 120V.	1	
1750-0198-A31	Battery charger to be located behind driver's seat.	1	
1750-0199-I77	Air compressor to be located up high in officer side wheel well medical cabinet offset forward.	1	
1750-0343	Battery charger E-ONE LPC 20. 120 volt inlet, 20 amp output.	1	
1750-0429-592	Dual USB charging ports in the cab wired battery hot. Location: driver side dash.	1	
1750-0429-593	Dual USB charging ports in the cab wired battery hot. Location: officer side dash.	1	
1750-0435	Halogen cab headlights. TyphoonX, CIIX and QST2 only.	1	
1750-0449	Momentary DPF regeneration override switch.	1	
1750-0582	Light EON LED (EA) mounted in bench seat riser. The light(s) shall be wired through the compartment door switch(s).	1	
1750-0651-172	Turn signal Whelen C-Series model C6T LED amber arrow pair located upper headlight bezel.	1	
5400-0057	Dome lts red/white 4" LED (4). Lights to be located two front and two rear. White light wired through door and light assembly mounted rocker switch. Red light through light assembly mounted rocker switch.	1	
<b>BODY COMPT LEFT SIDE</b>			
3100-0154	Driver side body with full height 48" wide forward and 62" wide rearward enhanced extended compartmentation. Includes (1) 56" wide compartment over the wheel well.	1	
3100-0380	(2) driver side roof top compartments. Includes hinged raised compartment lids with turn latches and grab handle(s). Each lid to have (3) bracket mounted EON LED lights and to be wired to door ajar indicator in cab.	1	
<b>BODY COMPT RIGHT SIDE</b>			
3120-0284	Officer side body with full height 48" wide forward and 62" wide rearward enhanced extended compartmentation. Includes (1) 56" wide compartment over the wheel well and one (1) storage tunnel.	1	
3120-0553	(2) officer side roof top compartments. Includes hinged raised compartment lids with turn latches and grab handle(s). Each lid to have (3) bracket mounted EON	1	

Salescode	Extended Description	Qty	
<b>BODY COMPT RIGHT SIDE</b>			
	LED lightS and to be wired to door ajar indicator in cab.		
<b>BODY COMPT REAR</b>			
3110-0013	Full Height Rear Compartment with Officer Side Storage Tunnel. Includes smooth plate panels and storage access door with push button latch.	1	
3110-0052	Bolt-on diamond plate tailboard (full width of rear compartment). Includes the enhanced extended side compartment frame work and handrails- (2) vertical on trailing edge of body and horizontal mounted handrail(s) below hosebed.	1	
3110-0092	Enhanced Extended Compartmentation stepped down below hosebed level. Includes embossed diamond plate compartment tops.	1	
<b>DOORS</b>			
3300-0105-027	Door roll up tall (greater than 45") with satin finish Amdor. Location(s): B1.	1	
3300-0195-003	Door roll up tall (greater than 45") with painted finish Amdor. Location(s):L1.	1	
3300-0195-005	Door roll up tall (greater than 45") with painted finish Amdor. Location(s):L3.	1	
3300-0195-015	Door roll up tall (greater than 45") with painted finish Amdor. Location(s):R1.	1	
3300-0195-017	Door roll up tall (greater than 45") with painted finish Amdor. Location(s):R3.	1	
3300-0197-004	Door roll up short (up to 45") with painted finish Amdor. Location(s): L2.	1	
3300-0197-016	Door roll up short (up to 45") with painted finish Amdor. Location(s): R2.	1	
3300-0310-003	Drip pan for a Amdor roll-up door (EA). Location(s): L1.	1	
3300-0310-004	Drip pan for a Amdor roll-up door (EA). Location(s): L2.	1	
3300-0310-005	Drip pan for a Amdor roll-up door (EA). Location(s): L3.	1	
3300-0310-015	Drip pan for a Amdor roll-up door (EA). Location(s): R1.	1	
3300-0310-016	Drip pan for a Amdor roll-up door (EA). Location(s): R2.	1	
3300-0310-017	Drip pan for a Amdor roll-up door (EA). Location(s): R3.	1	
3300-0310-027	Drip pan for a Amdor roll-up door (EA). Location(s): B1.	1	
3300-0329	Amdor Lumicoat paint (EA). Clear coat upgrade.	6	Manual added by WYOUNG on 26-APR-18
<b>SHELVES</b>			
3370-0245	Permanent fixed shelf. Location:	2	R1 R3
3370-0246	Adjustable shelf for non-transverse compartments. Location:	3	L1 L3 B1
3370-0247	Tracks for adjustable shelf and/or adjustable tray in a compartment. Location:	4	L1 L3 L2 B1
<b>TRAYS / TOOLBOARDS</b>			
3380-0049-135	Running board suction tray (floating style). Includes tapered 3" front corner and	1	

Salescode	Extended Description	Qty	
<b>TRAYS / TOOLBOARDS</b>			
	removable slats in bottom of tray. Location(s): driver side running board.		
3380-0049-136	Running board suction tray (floating style). Includes tapered 3" front corner and removable slats in bottom of tray. Location(s): officer side running board.	1	
3380-0498	Tray, floor mounted roll-out with gas spring. 500 lbs. capacity. Location:	3	B1;R3;L3
3380-0502	Adjustable mounted SlideMaster roll-out/tilt down model SMT with aluminum tray. Location(s):	1	L2
<b>COVERS</b>			
3305-0008-000-13	Vinyl Black crosslay cover with attached side flaps.	1	
3305-0022-000-13	Vinyl rear cover for diamond plate hose bed cover. Color: Black.	1	
3305-0064-135	Nylon black strap with aluminum quick-release buckle for hose tray. Strap to attach to side walls of tray down low as applicable. Location: driver side running board.	1	
3305-0064-136	Nylon black strap with aluminum quick-release buckle for hose tray. Strap to attach to side walls of tray down low as applicable. Location: officer side running board.	1	
3305-0089	(4) piece aluminum hose bed cover with smooth bottom plate. Includes dividerless cross structure, fill tower(s) access door(s) and handles (as applicable), (2) gas shocks, positive hold-opens/hold-closed at center and at the rear, (6) grab handles- (4) fwd cover and (2) fwd area of rear cover with (2) hand rails on rear cover.	1	
<b>PUMP MODULE</b>			
3130-0167	Pump module to be 76" wide (side to side). Includes upper, lower, crosswalk, speedlay and tranverse module(s) if applicable.	1	
3130-0523	Side mount pump module. Extruded aluminum with runningboards.	1	
3130-0532	Pump panel opening is 39" wide. Pumper / tanker only.	1	
3130-0540	Pump module height is 80". Pumper / tanker only.	1	
<b>PUMP PANELS</b>			
3134-0016	Stainless steel driver and officer side pump panels.	1	
3134-0064	The gauge panel(s) on the driver side of the Side Mount module to be hinged upward. Panel(s) to include (2) mechanical/pneumatic (as applicable to panel size) hold opens and latches.	1	
3134-0143	Officer side pump panel to be vertical hinged on forward extrusion. Panel to be (3) pieces with upper (2) panels secured in the closed position with push button latches. Upper panel to be held open with gas shock.	1	

Salescode	Extended Description	Qty	
<b>MISC PUMP PANEL OPTIONS</b>			
4460-0000-282	Air outlet w/snubber valve. Location: driver's side pump panel.	1	
4460-0003	Pump panel tags color coded per NFPA compliance.	1	
<b>PUMP MODULE OPTIONS</b>			
3136-0000-202	Air horn switch at pump panel. Switch to be labeled "Evacuation Alert". Location: driver side pump panel.	1	
3136-0001	Backboard storage compartment in pump module. Locate rearward of crosslays on SM and forward of crosslays on TM. Includes vertical hinged diamond plate access door each side.	1	
3136-0010	Stainless steel roller assemblies for crosslays and/or speedlays.	1	
3136-0011	P-Rubber in flex joint(s) between pump module and/or body modules.	1	
3136-0058	E-ONE logo mounted one each side on pump module/preconnect panels. Logos to be sized as applicable to available space on panels.	1	
3136-0138	Pump module storage pan.	1	
3136-0140	Crosslay double 7.5" wide each with extra depth to hold up to 400' of 2.0" DJ hose (each).	1	
<b>WATER TANK</b>			
4010-0099	Fill tower(s) to be located offset to officer side of water tank.	1	
4010-0179	1030 Gallon "R" Water Tank. UPF Poly III color fill towers. Note: Any foam cell(s) and/or storage options through the tank will reduce the overall water capacity.	1	
<b>TANK PLUMBING</b>			
4450-0010	2" tank fill Akron manual valve.	1	
4450-0119	3" tank to pump Akron manual valve w/4" tank connection.	1	
<b>FOAM TANK</b>			
4100-0033-590-16	30 gallon integral foam tank for Class A foam. UPF Poly III Green fill tower. Foam tank capacity will reduce the water tank capacity.	1	
<b>FOAM TANK OPTIONS</b>			
4110-0018	Foam tank outlet. Includes 1" male camlock adaptor w/1" valve and connector (ship loose). Outlet location: driver side pump panel.	1	Manual added by GFRANKLIN on 15-DEC-17
<b>LADDER STORAGE / RACKS</b>			
3365-0049	Brand of ladders capable of being carried on unit to be Alco-Lite.	1	
3365-0087-Z71	The length of ladders capable of being stored shall be the following: 24' 2-section, 14' roof ladder and 10' attic ladder w/shoes.	1	

Salescode	Extended Description	Qty	
<b>LADDER STORAGE / RACKS</b>			
3365-0149-097	Storage tunnel capable of holding: (1) 2-section, (1) roof, (1) attic, (2) pike poles, (1) backboard in Officer.	1	
<b>HANDRAILS / STEPS</b>			
3330-0277	Innovative Controls dual lighted LED folding steps rear NFPA. Includes folding steps on driver side rear of the body. (staggered stepped as applicable with tailboard depth) for NFPA hosebed access and handrail mounted on driver side upper hosebed side (as applicable).	1	
3330-0278	Innovative Controls dual lighted LED folding steps rear NFPA. Includes folding steps on officer side (staggered stepped as applicable with tailboard depth) for additional hosebed access and handrail mounted on officer side upper hosebed side (as applicable).	1	
3330-0279-060	Innovative Controls dual lighted LED folding step. Location: officer side front compartment face. Each location requires a minimum of (1) handrail per NFPA.	4	
3330-0279-062	Innovative Controls dual lighted LED folding step. Location: driver side front compartment face. Each location requires a minimum of (1) handrail per NFPA.	4	
<b>MISC BODY OPTIONS</b>			
3340-0004	Hosebed above the booster tank. Includes forward hosebed and tower(s) cover plate work (as applicable). Hosebed adjustable divider extrusion in the forward area and rearward area of the hose bed to run full width of the hosebed (as is practical with other hosebed mounted equipment).	1	
3340-0027	Diamond plate corner guards for the driver and officer front compartment face. Guards to wrap around the corner and be full height of side assembly or to a max of 97".	1	
3340-0035	Divider Long. To run full length of hose bed (front to rear).	1	
3340-0041-066	Removable number plate with mounting brackets. Locate driver side of cab between front and rear doors. Plate to be painted job color. Lettering and/or graphics not included.	1	
3340-0041-067	Removable number plate with mounting brackets. Locate officer side of cab between front and rear doors. Plate to be painted job color. Lettering and/or graphics not included.	1	
3340-0041-267	Removable number plate with mounting brackets. Locate rear of body. Plate to be painted job color. Lettering and/or graphics not included.	1	
3340-0058	Recessed fuel fill driver side wheel well.	1	
3340-0060	Diamond plate corner guards for the driver and officer rear compartment face. Guards to wrap around the corner and be full height of side assembly or to a max of 97".	1	

Salescode	Extended Description	Qty	
<b>MISC BODY OPTIONS</b>			
3340-0062	Divider medium. To run full length of hose bed (front to rear) behind single fill tower.	1	Manual added by DGALLAGHER on 15-DEC-17
3340-0075	Body mainframe and hosebed side assemblies for a 90" high body.	1	
3340-0093	Mud flaps, rear, black with E-ONE logo.	1	
3340-0110	The rear of each hose bed divider to have a hand hold cut-out(s).	1	
3340-0145	Rub rail for the body and pump area module(s).	1	
3340-0470	The outboard panels of the roof top compartments or full width hosebed as applicable to be smooth plate overlays. These areas are to be seamless and painted job color.	1	
3340-0520	Smooth plate single axle wheel well painted job color. Includes bolt-on composite wheel well liners and bolt-on polished alum fenderettes.	1	
3340-0681	Body mainframe layout line to be 24". Includes body and all applicable modules.	1	
3340-1648	Anodized aluminum trim on bottom edge of all body compartment openings with painted edge.	1	
<b>SCBA BOTTLE STORAGE</b>			
3320-0100	Strap, loop style to retain SCBA bottle(s). Locate one per bottle in each exterior body storage compartment.	1	
3320-0182-497	E-ONE designed (1) SCBA bottle storage driver side rear wheel well offset rearward with hinged door and push button latch. Door material to match wheel well material. Holds standard size SCBA bottle, 20lbs ABC Extinguisher (10.25"x7"x24") or 2.5 gal Water Extinguisher (9"x7"x24.5"). Door shall cover the recessed fuel fill if located in the wheel well adjacent to the SCBA storage.	1	
3320-0183-495	E-ONE designed (2) SCBA bottle storage driver side rear wheel well offset forward with hinged door and push button latch. Door material to match wheel well material. Holds standard size SCBA bottle, 20lbs ABC Extinguisher (10.25"x7"x24") or 2.5 gal Water Extinguisher (9"x7"x24.5").	1	
3320-0183-498	E-ONE designed (2) SCBA bottle storage officer side rear wheel well offset forward with hinged door and push button latch. Door material to match wheel well material. Holds standard size SCBA bottle, 20lbs ABC Extinguisher (10.25"x7"x24") or 2.5 gal Water Extinguisher (9"x7"x24.5").	1	
3320-0183-500	E-ONE designed (2) SCBA bottle storage officer side rear wheel well offset rearward with hinged door and push button latch. Door material to match wheel well material. Holds standard size SCBA bottle, 20lbs ABC Extinguisher (10.25"x7"x24") or 2.5 gal Water Extinguisher (9"x7"x24.5").	1	
<b>PUMPS</b>			



Salescode	Extended Description	Qty	
<b>PUMPS</b>			
4005-0030	Rating 1250 GPM	1	Manual added by JSCIANNI on 11-DEC-17
4005-0196	Hale QMAX 1000-2250 GPM single stage pump. Requires primer option.	1	
<b>PUMP CERTIFICATION</b>			
4475-0000	Pump certification 750-2250 GPM	1	
<b>PUMP OPTIONS</b>			
4015-0008	Zinc anodes for Hale pump (PR), (1) discharge side and (1) intake side.	1	
4015-0022	Mechanical pump seal - Hale.	1	
4015-0053-198	Steamers to be Flush + 1". Location: driver's side.	1	
4015-0053-199	Steamers to be Flush + 1". Location: officer's side.	1	
4015-0098	Manual operated master pump drain. The master drain shall be clearly marked and placed in accessible location on pump panel.	1	
4015-0210	Pump cooler with Innovative Control 1/4 turn valve with "T" handle and label.	1	
4015-0242	Trident primer W/3 barrel push button control. For use with 1250 GPM and larger pumps. Requires 15.6 CFM or larger engine air compressor.	1	
<b>INTAKES</b>			
4440-0005	2.5" Left Intake Akron Manual Valve.	1	
4440-0006	2.5" Right intake Akron manual valve.	1	
<b>INTAKE OPTIONS</b>			
4445-0009	Intake relief valve, Akron.	1	
<b>DISCHARGES AND PRECONNECTS</b>			
4415-0008	1.5" Front bumper discharge Akron manual valve.	1	
4415-0012-654	1.5" Crosslay with Akron manual valve. Location: crosslay 1 & 2.	2	
4415-0014-581	2.5" Left Pump Panel Discharge Akron Manual Valve. Location: left side discharge 1.	1	
4415-0014-582	2.5" Left Pump Panel Discharge Akron Manual Valve. Location: left side discharge 2.	1	
4415-0016-584	2.5" Right Pump Panel Discharge Akron Manual Valve. Location: right side discharge 2.	1	
4415-0022-350	2.5" Left Rear Discharge Akron Manual Valve. Location: left rear discharge.	1	
4415-0034-583	3" Right Pump Panel Discharge Akron Manual Valve (Waterous pumps noted location to be forward lower port). Location: right side discharge 1.	1	

Salescode	Extended Description	Qty	
<b>DISCHARGES AND PRECONNECTS</b>			
4415-0041	3" Deck Gun Discharge, Akron manual valve. (outlet shall terminate with MNPT threads unless extend gun is install)	1	
4415-0176-210	Brass Swivel in Tray center front bumper for Front Bumper Discharge.	1	
4417-0106-L65	Deck gun piping to be positioned centered in deck gun channel.	1	
<b>DISCHARGE OPTIONS</b>			
4417-0175	Innovative Controls push/pull valve controls with locking T handles.	1	
4417-0176	Innovative Controls 3/4" bleeder/drain valve include lift lever with ergonomic grip.	9	
4417-0185	Innovative Controls discharge and intake bezels with integral color code and verbiage for side mount pump panel.	1	
4417-0246	Dealer installed monitor, make and model as specified.	1	
<b>PRESSURE GOVERNORS</b>			
4465-0011	Class 1 TPG pressure governor. Includes, water, oil, volt and tachometer.	1	
<b>GAUGES</b>			
4435-0083	Innovative Controls 10 LED SL series water tank level gauge. On pump panel.	1	
4435-0084	Innovative Controls 10 LED series foam tank level gauge. On pump panel.	1	
4435-0246	2.5" Innovative Controls stainless steel case pressure gauge (0-400) with color code bezel.	9	
4435-0247	4" Innovative Controls stainless steel case master pressure gauges with bezel. Intake 30-0-400, and discharge 0-400.	1	
<b>FOAM SYSTEMS</b>			
4430-0150	Foam system to be installed by the dealer - no system or manifold provided by the factory. Option allows for foam tank and foam gauge selection only.	1	
<b>ELECTRICAL SYSTEMS</b>			
5010-0036	V-MUX Electrical system for pumper / tanker / rescue.	1	
5010-0049	Vehicle data recorder - 2009 / 2016 NFPA compliant. Includes occupant detection shown in multiplex display. E-ONE chassis only.	1	
5010-0055-649	Vista IV display for V-MUX electrical system. Location: driver's side engine cover.	1	
5010-0094	Nanoprotech corrosion inhibiting spray coating to be applied on all exposed electrical connections.	1	
5010-0100	AXIS Smart Truck Technology. Includes roof mounted antenna and 5 year data plan. For use only with E-ONE chassis in the USA.	1	

Salescode	Extended Description	Qty	
<b>LIGHT BARS</b>			
5300-0505	Whelen MK8H 5" high mount for front light bar (PR).	1	
5300-0506-000-4V	Front light bar LED color: Red/White with clear lenses (If applicable, includes side facing when colors are the same.)	1	
5300-0507	Light bar Whelen Freedom IV Model F4X7 72" with 14 LED modules. Location: Centered on the front cab roof.	1	
<b>WARNING LIGHT PACKAGES</b>			
5550-0160	Whelen M-Series Super LED upper level rear warning light package. Includes (2) red Super LED model M9RC lights with weatherproof connectors and clear lenses. Located rear of body (1) Driver and (1) Officer side upper body..	1	
5550-0484-535-4T	Whelen Super LED lower level warning light package. Includes (8) C-Series model C6L light heads and (2) ION-T Series model TLI light heads with bezels. Color: Red with clear lenses. Locate side facing lights: at forward most position, centered in rear wheel well, and side facing at rear of body in rubrail if equipped. Note: ION-T Series light only available with clear lenses.	1	
<b>WARNING LIGHTS</b>			
5600-0105-170	Hazard (door ajar) light 2" LED. Location: center overhead.	1	
5600-0216-G99	Warning light Whelen M9 series Super LED (PR) red. Location: (1) each side of body on rearward upper body corners.	1	
<b>DIRECTIONAL LIGHT BARS</b>			
5310-0017	Whelen Traffic Advisor model TAL65 LED - 36" long.	1	
5310-0020-846	Directional light bar control is to be located center overhead console offset to driver side.	1	
<b>SIRENS</b>			
5500-0011-209	Federal Q2B siren - Pedestal mounted on bumper. Location: driver side front bumper.	1	
5500-0015	Whelen model 295SLSA1 siren with microphone (replaced 295HFSA1).	1	
5500-0024-170	The primary electronic siren control is to be located center overhead.	1	
<b>SPEAKERS</b>			
5510-0049-209	Whelen SP123BMC electronic siren speaker recessed in front bumper. Location: driver side front bumper.	1	
5510-0049-211	Whelen SP123BMC electronic siren speaker recessed in front bumper. Location: officer side front bumper.	1	
<b>DOT LIGHTING</b>			

Salescode	Extended Description	Qty	
<b>DOT LIGHTING</b>			
5150-0017	License plate light LED with chrome housing located at the rear of the body.	1	
5150-0025	Marker light LED body/cab package. E-One custom cab and pumper or tanker body only.	1	
5150-0032	Bracket license plate at rear of body.	1	
5150-0215	Whelen C6 series LED vertical mount tail lights. Includes LED stop/tail, arrow turn and back-up lights with vertical chrome ABS 4 housing and weatherproof connectors.	1	
<b>LIGHTS - COMPARTMENT, STEP &amp; GROUND</b>			
5380-0077	Compartment light package Amdor Luma-Bar LED for medium bodies. Includes one light per compartment (two if transverse).	1	
5380-0111	Compartment light Amdor LED for medical cabinet (EA).	2	
5380-0280	Ground light package TecNiq T440 4" LED - large.	1	
<b>LIGHTS - DECK AND SCENE</b>			
5390-0007	Deck/scene light circuit wiring through chassis reverse. Requires rear deck or scene light.	1	
5390-0025	Cab scene lights are to be switched with cab doors in addition to standard.	1	
5390-0036	Hose bed light circuit wiring through chassis reverse. Requires hose bed light.	1	
5390-0069-861	Whelen M9 Linear Super LED scene lights (PR). Switched in cab (lights mtd on the sides of apparatus to be switched separately). Locate driver side forward and rearward areas of roof top storage compartment.	1	
5390-0069-862	Whelen M9 Linear Super LED scene lights (PR). Switched in cab (lights mtd on the sides of apparatus to be switched separately). Locate officer side forward and rearward areas of roof top storage compartment.	1	
5390-0088	Crosslay light Whelen PFBP12C LED. Locate to rear of crosslay (SM) and forward of crosslay (TM as applicable). Switched with work light switch in cab.	1	
5390-0089	Hose bed light Whelen PFBP12C LED. Locate center front of hose bed. Switched with work light switch in cab.	1	
5390-0152-397	Whelen 600 series gradient Super LED scene lights (PR) with weatherproof connectors. Switch in cab (driver and officer side lights switched separately). Locate (1) each side of cab, rearward of forward doors, up high.	1	
5390-0164-396	Whelen 900 series model 9SC0ENZR Super LED Opti-Scene light (PR) with weatherproof connectors. Switch in cab (driver and officer side lights switched separately). Locate (1) each side rear compartment face up high.	1	
<b>LIGHTS - NON-WARNING</b>			
5400-0011	LED pump compartment light (EA).	1	

Salescode	Extended Description	Qty	
<b>LIGHTS - NON-WARNING</b>			
5400-0224	Engine compartment light Optronics LED Series ILL22 (EA).	1	
5400-0259	TecNiq model E10 pump panel LED light package with (3) lights per side pump panel. Pump panels over 45" may require additional lights. Side mount only.	1	
<b>CONTROLS / SWITCHES</b>			
5100-0000-198	Foot switch to control air horns located driver's side.	1	
5100-0000-199	Foot switch to control air horns located officer's side.	1	
5100-0006-198	Foot switch to control Q2B located driver's side.	1	
5100-0006-199	Foot switch to control Q2B located officer's side.	1	
5100-0165	Audible door ajar alarm wired through door ajar light. For use with V-Mux Display only.	1	
<b>CAMERAS / INTERCOM</b>			
5350-0192	Safety Vision back-up camera wired through multiplex display. Video displays automatically when transmission is in reverse. Camera only - does not include monitor.	1	
<b>MISC ELECTRICAL</b>			
1750-0082-762	12V power distribution module. Includes (6) battery hot and (6) switched hot circuits. 100 amps max (IATS). Location: behind officer's seat.	1	
5110-0017	Back-up alarm 97 dB.	1	
5110-0018-848	12 volt 12 gauge constant hot lead (24" long) with ground wire. Location: centered on rear cab wall below seat support channel.	1	
<b>LIGHTS - QUARTZ</b>			
5450-0624-190	Light Whelen 12V Pioneer Plus flood LED model PFH2B with brow mount (EA) powder coated black. Includes switch in cab (driver and officer side facing lights switched separately). Location(s): center of front cab brow.	1	
<b>MISC LOOSE EQUIPMENT</b>			
7900-0014	DOT Required Drive Away Kit - Kit includes three (3) triangular warning reflectors with carrying case. This kit is for the end user and is to remain with the truck.	1	
<b>EXTERIOR PAINT</b>			
8100-0063	Cab paint break - standard. Break is 31.5" below the drip rail on Typhoon X and CII X cabs. Pre-07' emission Typhoon cab break is 33.5" below the drip rail. Quest std paint break is 41.375" up from bottom of cab.	1	
8100-0089	All applicable pump/pre-connect application modules are to have a sanded finish (not painted job color). Includes upper and lower pump modules, crosswalk	1	

Salescode	Extended Description	Qty	
<b>EXTERIOR PAINT</b>			
	module and/or speedlay/pre-connect module (as applicable). Rear mounted body/pump module to be painted job color.		
8100-0116	Rear body surface to have a sanded finish (not painted job color). Includes hinged doors that do not have discrete sales codes and removable panels.	1	
8100-0176-000-17	Paint E-ONE chassis cab - Sikkens paint. Color: FLNA3225E-1 Red.	1	
8100-0177-000-35	Paint cab Sikkens two-tone. Upper area of cab to be painted FLNA4145 Black.	1	
8100-0182-000-17	Paint Body - Small - For Pumpers, Rear Mounts, S/A Tankers/Wetsides and Rescues. Sikkens paint. Color: FLNA3225E-1 Red.	1	
8100-0222	Paint roll up door header plate(s) job color for all painted roll-up doors..	1	
<b>INTERIOR PAINT</b>			
8150-0011	The interior of the cab to be painted Zolatone gray.	1	
8150-0024	The lower area of the painted cab interior door panels to be masked off and left un-painted for reflective material.	1	
<b>LETTERING</b>			
8200-0113	Scotchlite Letter (Each) upto 6" tall. The exact size, color and location of the letters as specified by the customer.	79	
8200-0114	Scotchlite Letter (Each) upto 12" tall. The exact size, color and location of the letters as specified by the customer.	96	
8200-0116	Shade and/or outline (EA) for letters as specified by the customer.	175	
<b>STRIPING</b>			
8300-0101	Black rubrail scotchlite insert.	1	
8300-0273-000-J7	Chevron "A" style 6" Reflexite V98 striping on front bumper. Colors to be Red/Fluorescent Yellow Green.	1	
8300-0274-000-J7	Chevron "A" style 6" Reflexite V98 striping full width on rear of body. Includes rear facing extrusions, panels and doors. Colors to be Red/Fluorescent Yellow Green.	1	
8300-0331	Single NFPA Scotchlite Stripe - up to 6" wide with hockey style, Z or S style or other customer specific design style. Stripe to be installed on cab and the body. Size, color and location as specified by the customer.	1	
8300-0334	Additional NFPA Scotchlite Stripe - upto 3" wide on cab and the body. Design, size, color and location as specified by the customer.	2	
8300-0338	Paint break Scotchlite cab stripe - 3/4" wide with customer specified color. To be located above existing paint break.	1	
8300-0381	Yellow perimeter marking to indicate designated standing / walking areas above 48" high in compliance with 2016 NFPA 1901 consisting of individual Reflexite	1	

Salescode	Extended Description	Qty	
<b>STRIPING</b>			
	diamonds approximately 1" wide. Steps, ladders and areas with a railing or structure at least 12" high are excluded from this requirement.		
<b>GRAPHICS</b>			
8400-0017-1V4	A customer logo supplied to E-ONE in a digital format. Location: reference graphics layout drawing.	2	
<b>WARRANTY / STANDARD &amp; EXTENDED</b>			
9100-0000	Standard 1 Year Warranty.	1	
9100-0003	Lifetime Frame Structural Warranty.	1	
9100-0004	10 Year/100,000 Mile Structural Warranty for Alum Cab / Body - Statement of Warranty.	1	
9100-0005	10 Year Stainless Steel Plumbing Warranty - Statement of Warranty.	1	
9100-0019	10 Year Limited Paint and Perforation Warranty - For Sikkens Paint.	1	
9100-0085	Premium 2000+ extended warranty for fire apparatus with a water pump - 24 months / unlimited miles.	1	
9100-0090	25 Year frame rail corrosion warranty. Includes liners (if equipped).	1	
<b>SUPPORT, DELIVERY, INSPECTIONS AND MANUALS</b>			
9300-0009	Manuals, Operator and Service in digital format.	1	
9300-0010	Approval Drawings	1	
9300-0016	Approval Drawings-Standard.	1	
9300-0316	Fire Apparatus Safety Guide published by FAMA, latest edition.	1	
<b>Price Adjustment</b>			
Y20	CONCESSION	1	
<b>Dealer Supplied Equipment</b>			